

Media Technology in your Classes

We offer you a large variety of media devices on both campuses, which can be employed for classes or external usage.

Projectors, laptops, DVD players, DV recorders, camcorders etc. are available for multimedia-based applications.

We also provide you with notebook clusters for information technological applications.

Keys for Media Cabinets

Lecturers receive keys for the usage of the built-in and installed technology in lecture halls and lecture rooms.

You can book those keys online for the campus in Essen. Key sets can also be bought for long-term usage (10 €).



Centre for Information and Media Services

Contact

Service Center Essen

Universitätsstraße 2
45141 Essen
R12 R04 B48

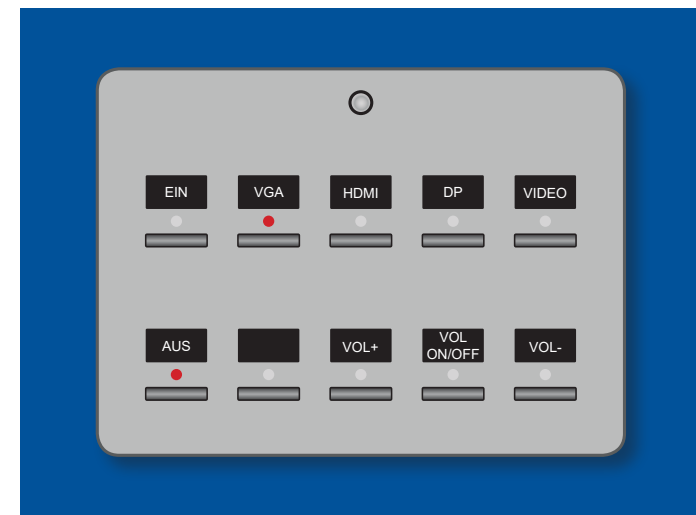
Tel. 0201 / 183 - 3435
Fax 0201 / 183 - 3432
E-mail: zim-geraeteausleihe-e@uni-due.de

Opening hours during the lecture period:
Mo - Fr 8 a.m. - 14 p.m.
Opening hours during the semester break:
Mo - Fr 8 a.m. - 12 p.m.

Hotline

Mo-Fr 8 a.m. - 8 p.m.
Tel. (E) 0201-183-4444
E-mail hotline.zim@uni-due.de

© 2019 Universität Duisburg-Essen



UNIVERSITÄT
DUISBURG
ESSEN

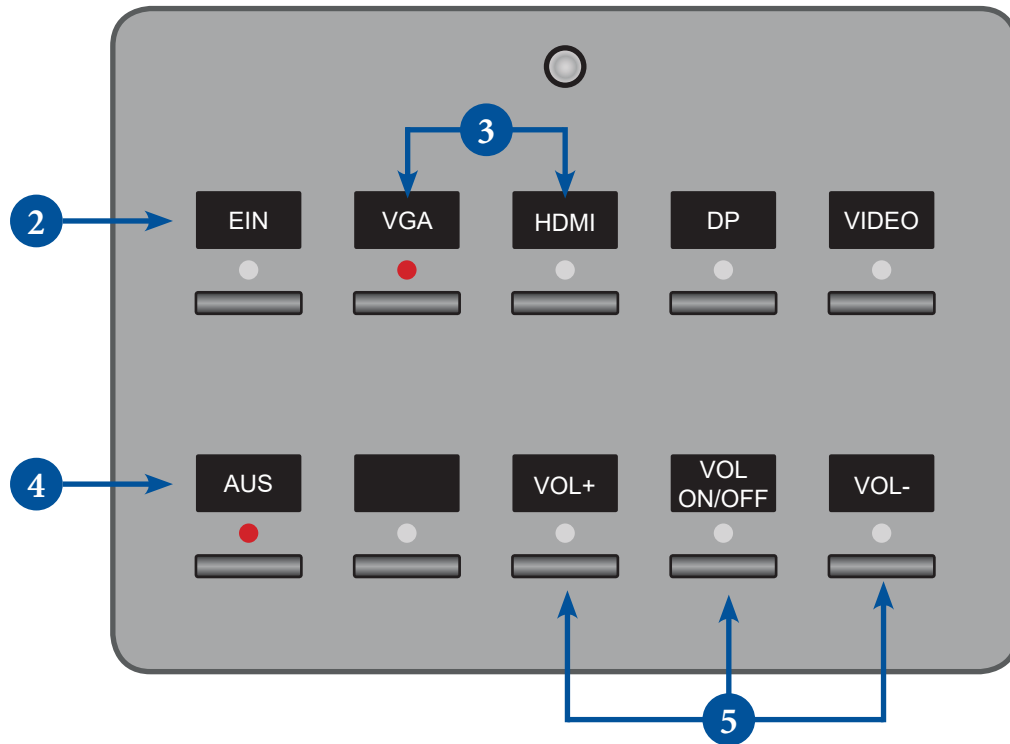
Open-Minded



Centre for Information and Media Services

***The Usage of Media Technology in
Lecture Halls and Lecture Rooms
Lecture Room Type II (MPC-M5)***

Operation of the Projector Control in Lecture Rooms Type II (MPC-M5)



1 Connect Signal Source

Connect the signal source via present cables

2 Turn on Projection

- Briefly press the button “Beamer ON”
- The projector is turned on and will be operational after approximately 90 seconds.
(The red LED switches from OFF to ON)

3 Choose a Signal Source

- Briefly press the button “VGA” or “HDMI”
(A red LED appears under the correspondent source.)

4 Turn off Projection

- Briefly press the button “Beamer OFF”
- The projector will be turned off immediately
(The red LED switches from ON to OFF)
- **ATTENTION!** A re-start of the beamer is only possible after 2 minutes!

5 Audio Control

- Press the button “VOL ON/VOL OFF” (LED turns on)
The volume control is turned on
- You can adjust the volume with the buttons “VOL+” and “VOL-”

Emergency Hotline: (3)3435