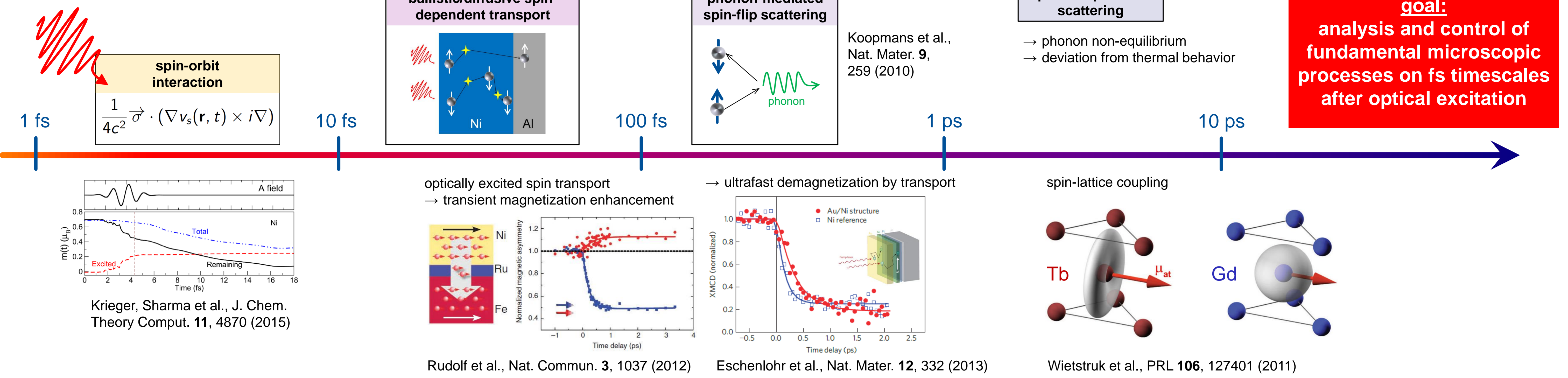


Andrea Eschenlohr

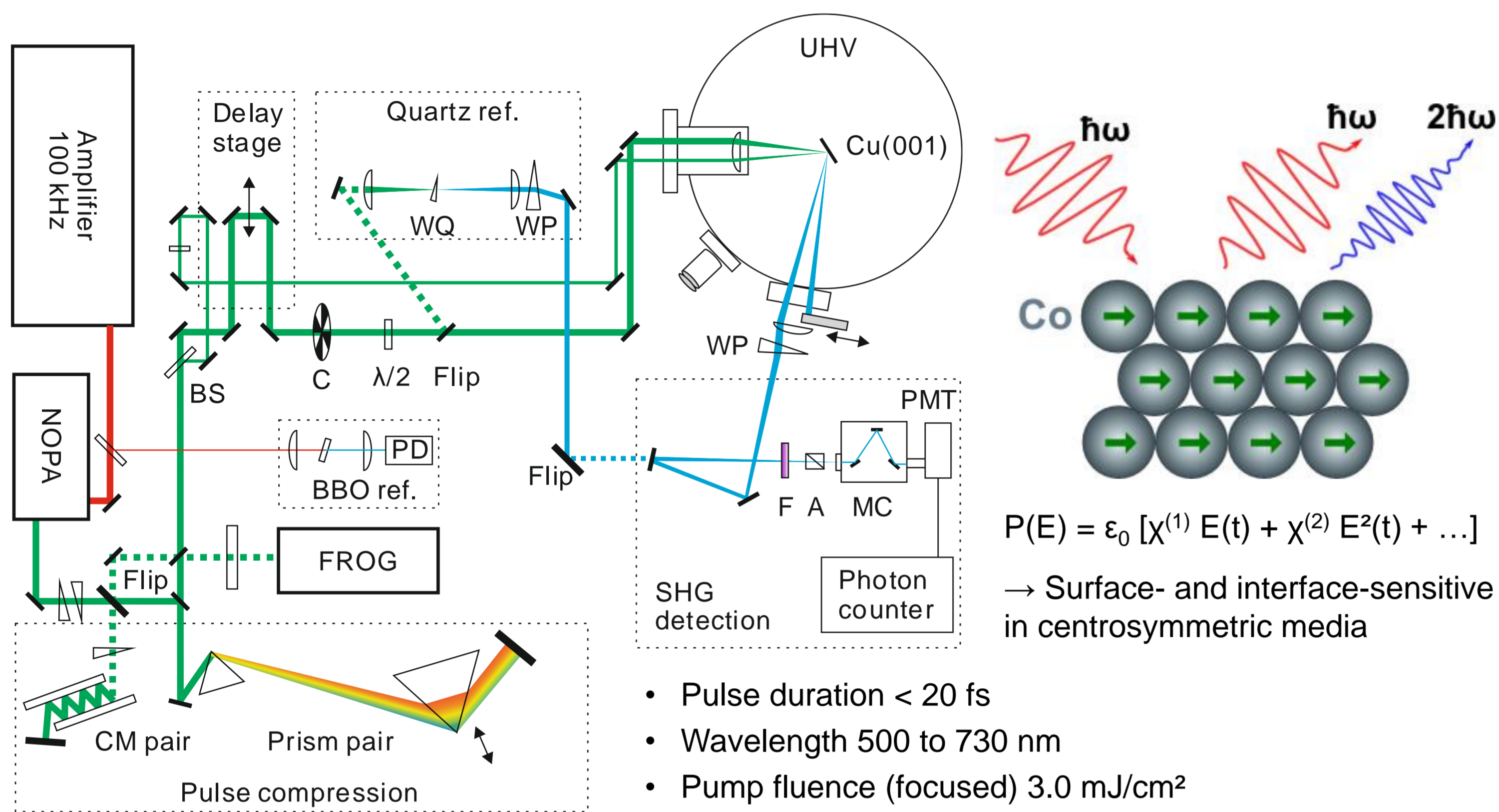
Faculty of Physics and Center for Nanointegration Duisburg-Essen (CENIDE), University of Duisburg-Essen, Lotharstr. 1, 47057 Duisburg, Germany

Motivation

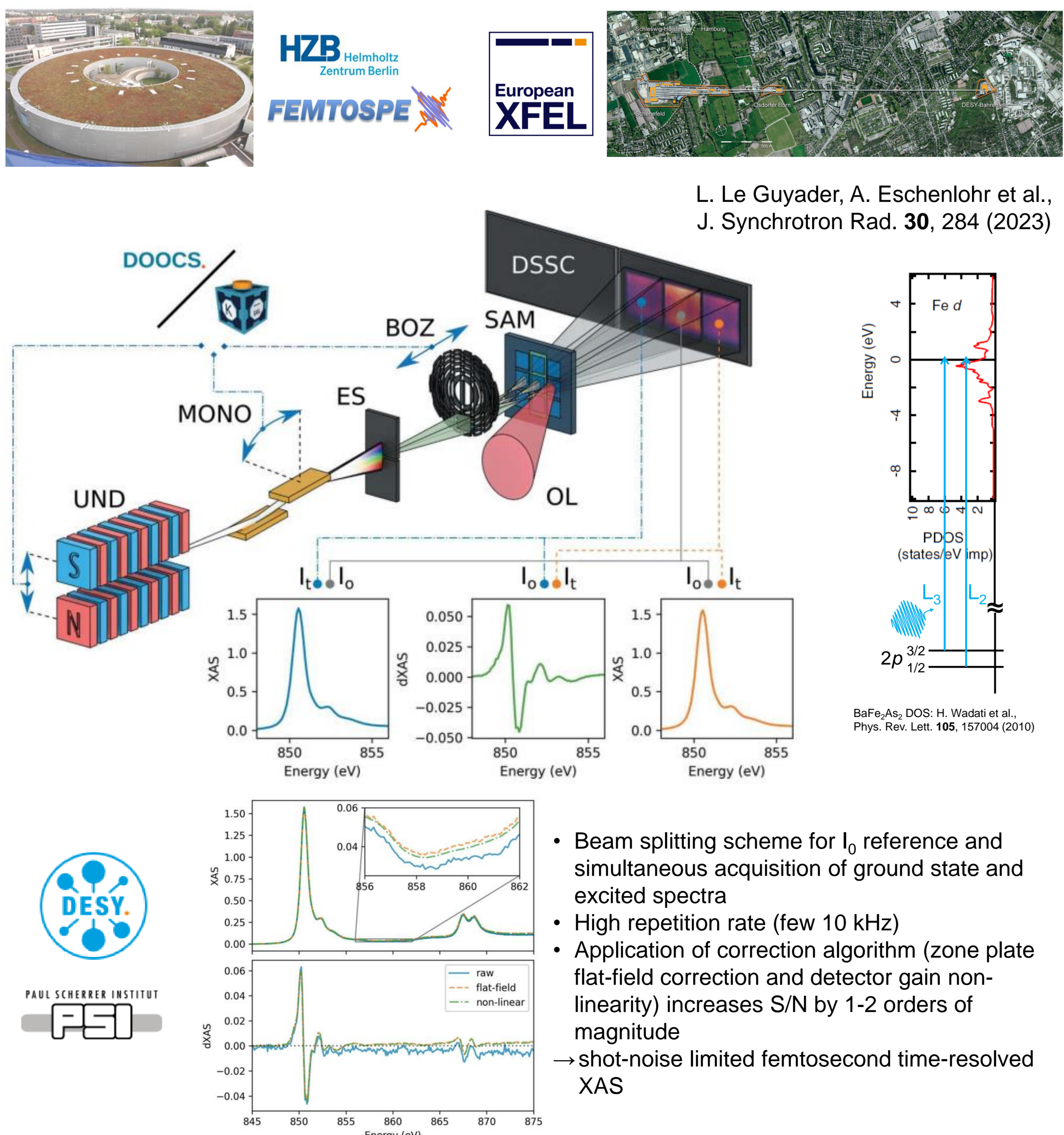


Experimental methods

Time-resolved second harmonic generation (SHG) spectroscopy:

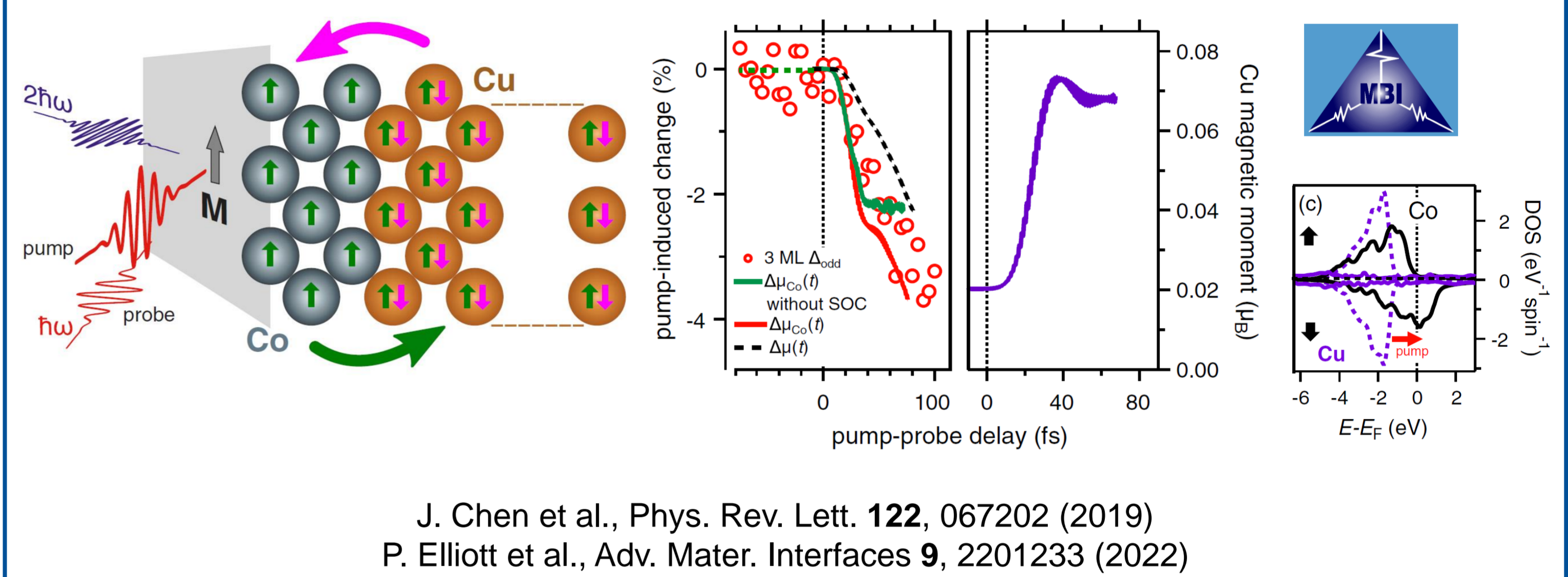


Time-resolved x-ray absorption (XAS) spectroscopy:

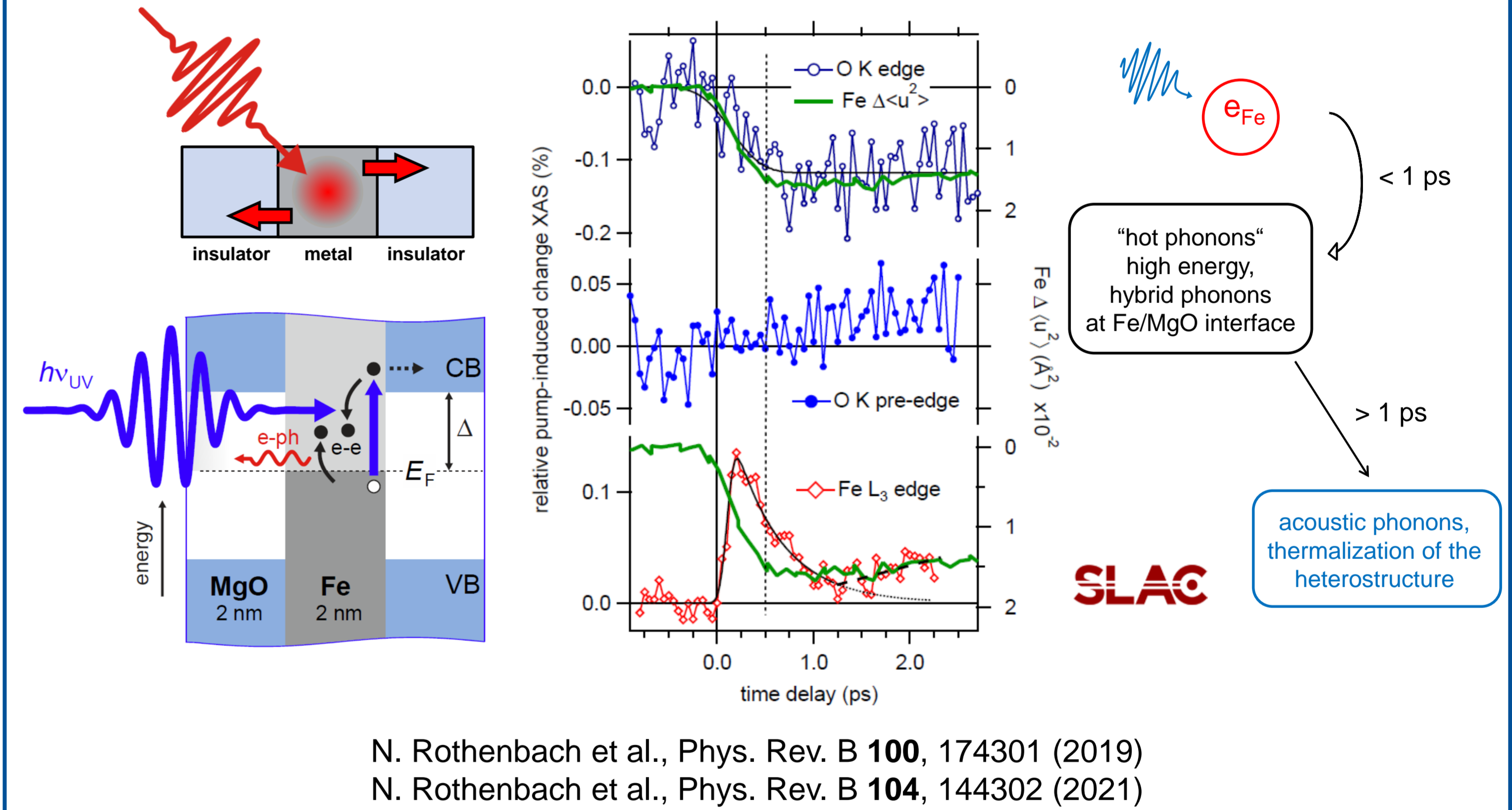


Selected results

Competing spin transfer and spin-orbit coupling mediated dissipation at Co/Cu(001) interfaces on femtosecond timescales:



Microscopic non-equilibrium energy transfer dynamics in a photoexcited metal/insulator heterostructure:



Interplay of local correlations and non-equilibrium spin dynamics:

